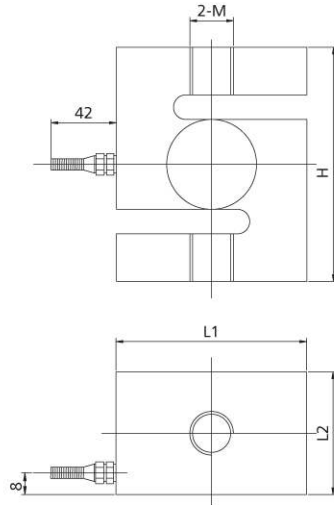
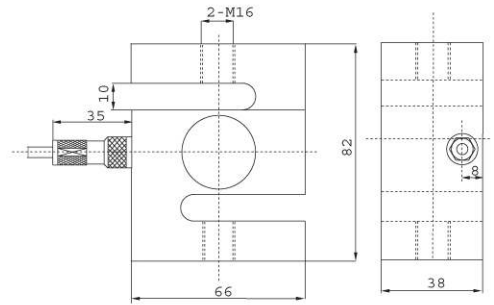




DE 1~5t



DEC 1t

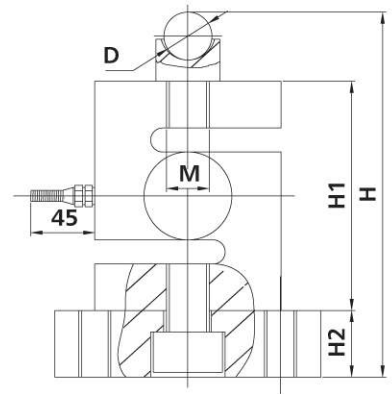
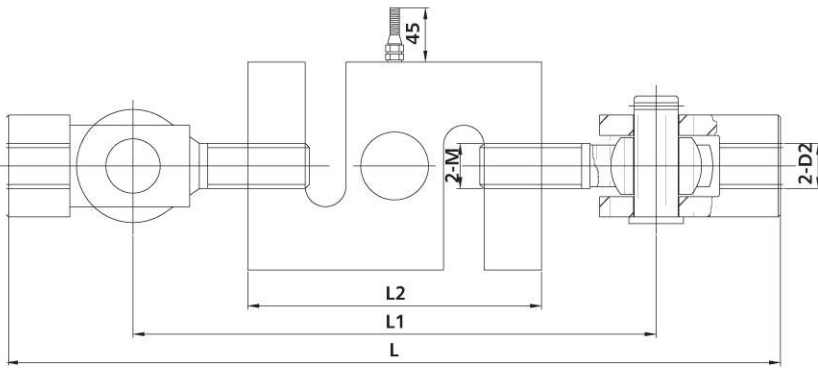


额定载荷(t) Rated Load	H	L1	L2	M
1	82	66	38	M12
1.5,2	86	70	45	M16
5	130	92	58	M20

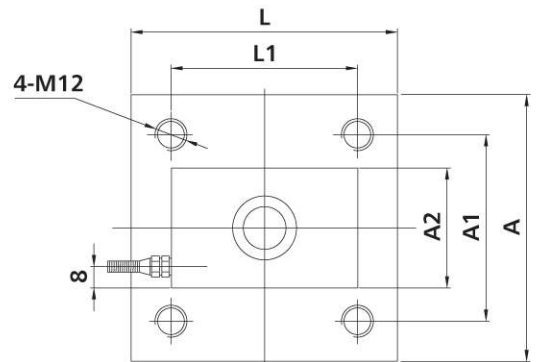
TECHNICAL PARAMETER

Exc+(红,Red); Exc-(黑,Black); Sig+(绿,Green);Sig-(白,White)

额定载荷 Rated Load	1,1.5,2,5t	工作温度范围 Operating Temp Range	-30~+70℃
灵敏度 Sensitivity	2.0 ± 0.002mV/V	安全过载 Safe load limit	120%FS
综合误差 Total error	± 0.02%F.S; ± 0.03%F.S	极限过载 Over load limit	200%FS
蠕变(30分钟) Creep(30min)	± 0.02%F.S	推荐激励电压 Recommend excitation	10~12V DC
零点平衡 Zero balance	± 1%F.S	最大激励电压 Maximum excitation	15V DC
零点温度影响 TCO	± 0.02%F.S/10℃	密封等级 Protection Class	IP67
输出温度影响 TC SPAN	± 0.02%F.S/10℃	材质 Construction	合金钢 Alloy Steel
输入阻抗 Input resistance	400 ± 10Ω	电缆 Cable	
输出阻抗 Output resistance	352 ± 2Ω		Length:2m
绝缘电阻 Insulation resistance	≥5000MΩ		Diameter: φ6mm



额定载荷(t) Rated Load	Lmax	L1max	L2	M	D2
1	240	160	82	M12	M12
1.5,2	261	173	86	M16	M16
5	355	235	130	M20	M24



额定载荷(t) Rated Load	H	H1	H2	L	L1	A	A1	A2	M	D
1	126	82	19	100	70	100	70	38	M12	φ16
1.5,2	136	86	24	100	70	100	70	45	M16	φ16
5	191	130	29	128	92	128	92	58	M20	φ20