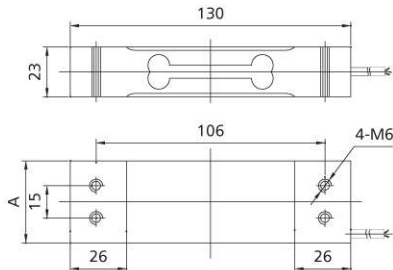


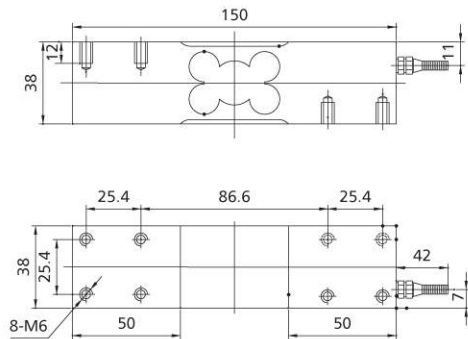


额定载荷(kg)	A
Rated Load	
6,8,15	30
30	38

### 6~30kg



### 50~200kg



## TECHNICAL PARAMETER | Exc+(红,Red); Exc-(黑,Black); Sig+(绿,Green);Sig-(白,White)

额定载荷 Rated Load	6,8,15,30,50,100,150,200kg	工作温度范围Operating Temp Range	-30~+70°C
灵敏度 Sensitivity	1.8 ± 0.002mV/V	安全过载Safe load limit	150%F.S
综合误差 Total error	± 0.03%F.S	极限过载Over load limit	200%F.S
蠕变(30分钟) Creep(30min)	± 0.03%F.S	推荐激励电压Recommend excitation	10~12V DC
零点平衡 Zero balance	± 1%F.S	最大激励电压Maximum excitation	15V DC
零点温度影响 TCO	± 0.02%F.S/10°C	密封等级Protection Class	IP67
输出温度影响 TC SPAN	± 0.02%F.S/10°C	材质Construction	铝合金Aluminium
输入阻抗 Input resistance	400 ± 10Ω	电缆Cable	
输出阻抗 Output resistance	352 ± 2Ω		Length:1m
绝缘电阻 Insulation resistance	≥5000MΩ		Diameter: φ5mm