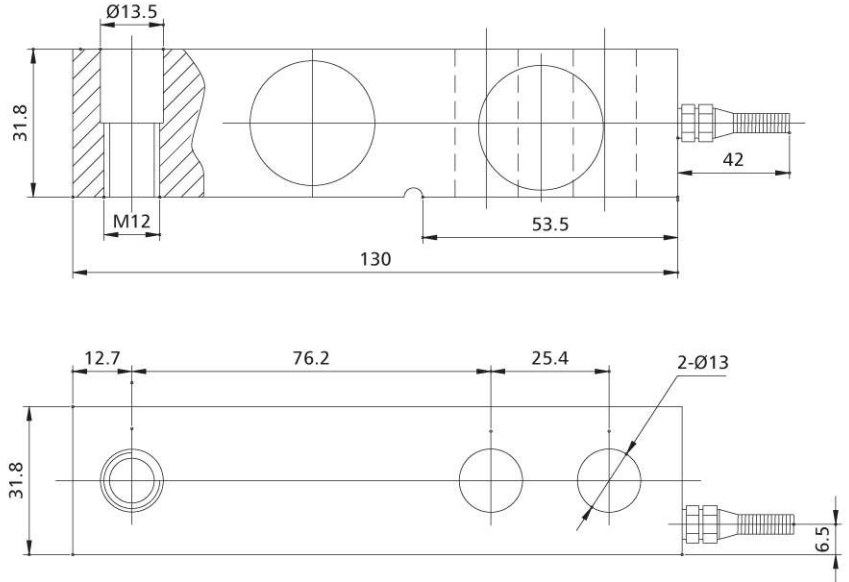
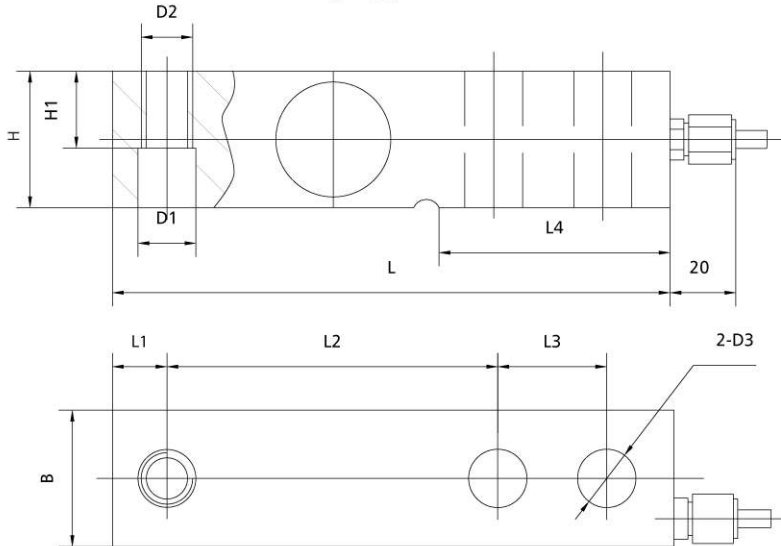


SQB/SQB-A/-S/-SS Loadcell
SQB/SQB-A/-S/-SS

0.25~2.5t

3~10t


额定载荷(t) Rated Load	3,5	7,5,10
L	171.5	225.5
L1	19	25.3
L2	95.3	124
L3	38.1	50.8
L4	72.5	102
H/B	38.1	50.8
H1	26	25.4
D1	φ20	φ27
D2	M18x1.5	M24x2
D3	φ20	φ27

TECHNICAL PARAMETER | Exc+(红,Red); Exc-(黑,Black); Sig+(绿,Green);Sig-(白,White)

额定载荷 Rated Load	0.25,0.5,0.75,1,1.5,2,2.5,3,5,7.5,10t	工作温度范围Operating Temp Range	-30~+70℃
灵敏度 Sensitivity	3.0±0.003mV/V(0.5~10t);2.0±0.002mV/V(0.25t)	安全过载Safe load limit	150%F.S
综合误差 Total error	±0.02%F.S; ±0.03%F.S	极限过载Over load limit	250%F.S
蠕变(30分钟) Creep(30min)	±0.02%F.S	推荐激励电压Recommend excitation	10~12V DC
零点平衡 Zero balance	±1%F.S	最大激励电压Maximum excitation	15V DC
零点温度影响 TCO	±0.02%F.S/10℃	密封等级Protection Class	IP67(0.25~0.75t);IP68(1~10t)
输出温度影响 TC SPAN	±0.02%F.S/10℃	材质Construction	合金钢Alloy Steel,-S/-SS:不锈钢Stainless Steel
输入阻抗 Input resistance	400±10Ω	电缆Cable	
输出阻抗 Output resistance	352±2Ω		Length:5m
绝缘电阻 Insulation resistance	≥5000MΩ		Diameter:φ6mm